

JUXTA D Series

General Specifications

Model DG1
PT Transmitter (R.M.S.)

JUXTA

1. General

This DCS correspondence nest stored type transmitter converts AC voltage signals of PT output, etc. to various current or voltage signals.

- AC/DC conversion is made by root mean square.

2. Specifications

Input & Output	
Input signal	0~110V AC or 0~150V AC
Input loss	0.5VA or less
Input frequency	40Hz~10KHzss
Permissibl over-input	120% (continuous), 200% (1 minute)
Ch1 output signal	1~5V DC
Ch2 output signal	DC voltage or current signal (In case of current output, output is available only either from front terminal ③~④ or connector)
Zero point adjustment range	±5% of span
Span adjustment range	±5% of span
Standard Performance	
Accuracy rating	±0.5% of span
Response speed	250ms 63% response (10~90%)
Insulation resistance	100MΩ or more (at 500V DC) between input~output, input~power supply and output~power supply
Voltage withstand	2600V AC/minute between input~output, input~power supply 500V AC/minute between output~power supply
Ambient temperature and humidity	Normal operating condition : 0~50° C, 5~90% RH Operating limit : -10~60° C, 5~95% RH Storage condition : -10~70° C, 5~95% RH (no condensation)
Power supply voltage	24V DC±10% (ripple content 10% p-p or less)
Effect of power supply voltage fluctuation	±0.1% or less of span per 24V DC±10% fluctuation
Effect of ambient tempearture change	±0.2% or less of span per 10° C temperature change
Current dissipation	24V DC 90mA (4~20mA DC), 60mA (1~5V DC)
Mounting & Dimension	
Boards	Both sides glass-epoxy
Mounting method	Store in exclusive nest (signal·power supply be connected through back board and connector)
Wiring	External wiring : Connect to terminal M4 screw in front of transmitter. (Cannot connect to I/O terminal of exclusive nest) Connection to I/O card: By exclusive cable (connector)
External dimension	130.6 X 23.6 X 126mm (HxWxD)
Weight	About 120g
Accessories	
Tag number label ... 4	

DG1-□6□*A

TYPE

INPUT SIGNAL

- 1 : 0~110V AC
- 2 : 0~150V AC
- 0 : CUSTOM AC Voltage Signal
(100% input voltage 30~300V AC)

CH1 OUTPUT SIGNAL

- 6 : 1~5V DC

CH2 OUTPUT SIGNAL

- A : 4~20mA DC
- B : 2~10mA DC
- C : 1~5mA DC
- D : 0~20mA DC
- E : 0~16mA DC
- F : 0~10mA DC
- G : 0~1mA DC
- Z : (CUSTOM) Current Signal
(24mA or less)
- 1 : 0~10mV DC
- 2 : 0~100mV DC
- 3 : 0~1V DC
- 4 : 0~10V DC
- 5 : 0~5V DC
- 6 : 1~5V DC
- 7 : -10~+10V DC
- 0 : (CUSTOM) Voltage Signal
(±10V or less)

POWER SUPPLY
24V DC±10%

Output resistance and permissible load resistance

(DC current output type)			
Output signal	Output resistance	Permissible load resistance	
4~20mA DC	5kΩ or more	0~750Ω	
2~10mA DC		0~1500Ω	
1~5mA DC		0~3000Ω	
0~20mA DC		0~750Ω	
0~16mA DC		0~900Ω	
0~10mA DC		0~1500Ω	
0~1mA DC		0~15kΩ	
Others, in case of I _o =24mA or less			(15/I _o)Ω or less

I_o=100% output current value

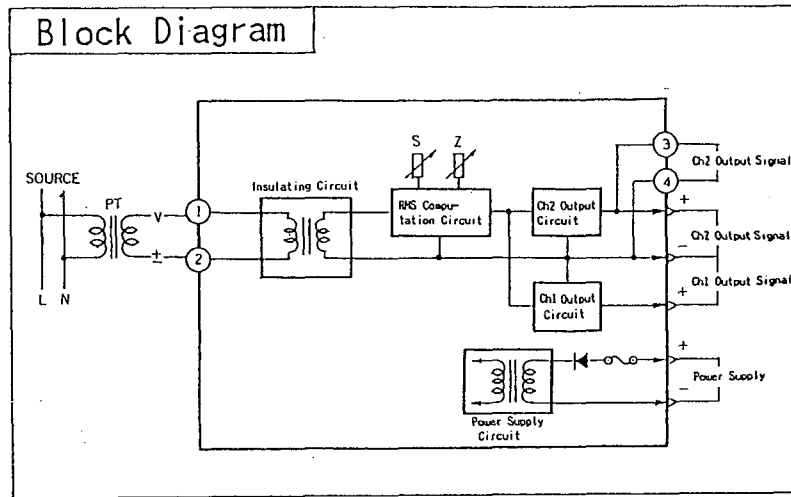
(DC voltage output type)				
Output signal	Output resistance	Permissible load resistance		
0~10mV DC	100Ω or less	250kΩ or more		
0~100mV DC				
0~1V DC	1Ω or less	2kΩ or more		
0~10V DC		10kΩ or more		
0~5V DC		2kΩ or more		
1~5V DC		2kΩ or more		
-10~+10V DC		10kΩ or more		
Others, in case of V _o ≤100mV		100Ω or less	250kΩ or more	
I _o =10V or less		V _o >100mV	1Ω or less	10kΩ or more

V_o=100% output voltage value

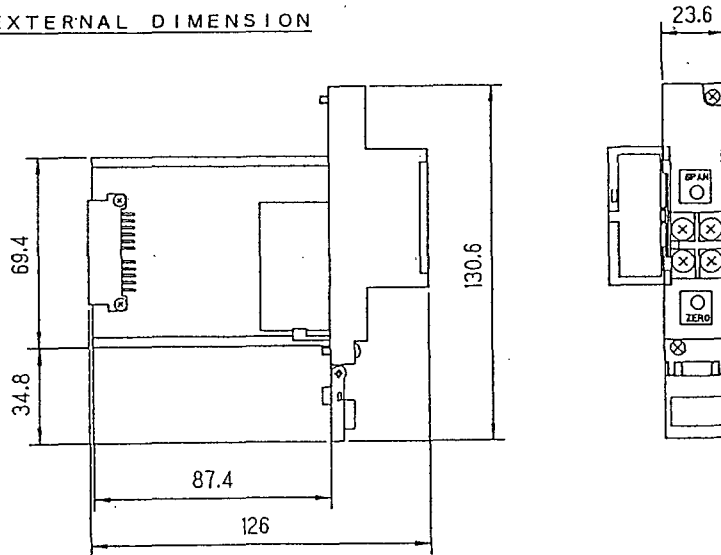
ORDERING INFORMATION
(Example) Type Code : DG1-26A*A

(Note) At 0~XmA of current output type, output value of 0.5% or less would be out of warranty regarding relative accuracy for Ch1 output.

CAUTION
Input signal should be connected to front terminal ①~② of transmitter



EXTERNAL DIMENSION



Unit : mm

Subject to change without notice for grade up quality and performance